

AXIAL LEADS MLCC

- RoHS Compliant

How to Order

A	—	104	Z	17	Y	500	P	26
—		—	—	—	—	—	—	—
↓		↓	↓	↓	↓	↓	↓	↓
A		B	C	D	E	F	G	H

A:

PRODUCT TYPE	
Code	TYPE
A	Axial Leads

B:

NOMINAL CAPACITANCE	
104	10×10^4
5R6	5.6

Express by three figures. Unit used is pF (pico-farad)

First two figures are significant digit, third figure expresses number of zeros which follow the two significant digit

If there is a decimal place it is represented by a "R". In this scenario all figures are significant digit

C:

CAPACITANCE TOLERANCE			
B	$\pm 0.10\text{pF}$	K	$\pm 10\%$
C	$\pm 0.25\text{pF}$	M	$\pm 20\%$
D	$\pm 0.5\text{pF}$	S	+50%~-20%
F	$\pm 1.0\%$	Z	+80%~-20%
G	$\pm 2.0\%$	P	+100%~-0%
J	$\pm 5.0\%$		

D:(UNIT: inches)

CORPUS LENGTH	
15	0.15
17	0.17
20	0.20

E:

DIELECTRIC TYPE	
N	COG(NPO)
B	X7R
E	Z5U
Y	Y5V

F:

RATED VOLTAGE	
250	25×10^0
500	50×10^0
101	10×10^1

First two figures are significant digit, third figure expresses number of zeros which follow the two significant digit

G:

PACKAGE STYLE		
T	Tape & Reel	
P	Ammo	
F Bulk	Pitch(mm)	
	F2	5.08
	F3	7.5
	F4	10

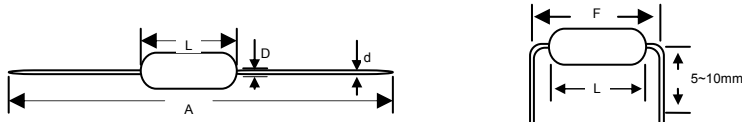
H:

LEAD STYLE	
26	Tape width:26mm
52	Tape width:52.4mm

AXIAL LEADS MLCC

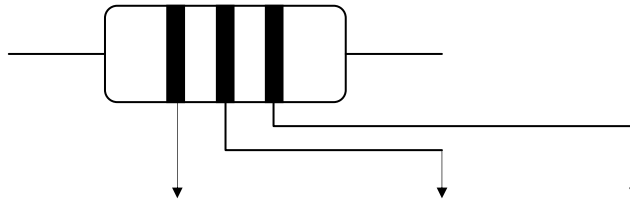
Size Code Capacitance and Voltage

Size Code	Dimensions(Mm)				Voltage	Capacitance Ranges			
	Lmax	Dmax	F(±0.6)			d (±0.05)	COG(NPO)	X7R	Y5V (Z5U)
15	3.8	2.2	5.08	10.00	0.45	25V	0R5~102	101~333	222~224
						50V	0R5~821	101~223	222~154
						100V	0R5~561	101~472	
17	4.3	2.5	5.08	10.00	0.45	25V	0R5~332	331~104	103~105
						50V	0R5~222	331~473	103~684
						100V	0R5~102	331~223	
20	5.1	3.0	7.50	10.00	0.45	25V	0R5~472	102~224	103~125
						50V	0R5~392	102~104	103~105
						100V	0R5~152	102~683	



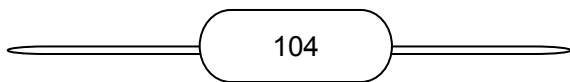
Nominal Capacitance Marking Method

COLOR MARKING CODE



Item Color	Nominal Capacitance(Pf)		
	1st color zone	2nd color zone	3rd color zone
	(1st figure)	(2nd figure)	(Multiplication factor)
Black	0	0	$\times 10^0$ (1)
Brown	1	1	$\times 10^1$ (10)
Red	2	2	$\times 10^2$ (100)
Orange	3	3	$\times 10^3$ (1000)
Yellow	4	4	$\times 10^4$ (10000)
Green	5	5	$\times 10^5$ (100000)
Blue	6	6	
Purple	7	7	
Gray	8	8	
White	9	9	

• LASER MARKING CODE



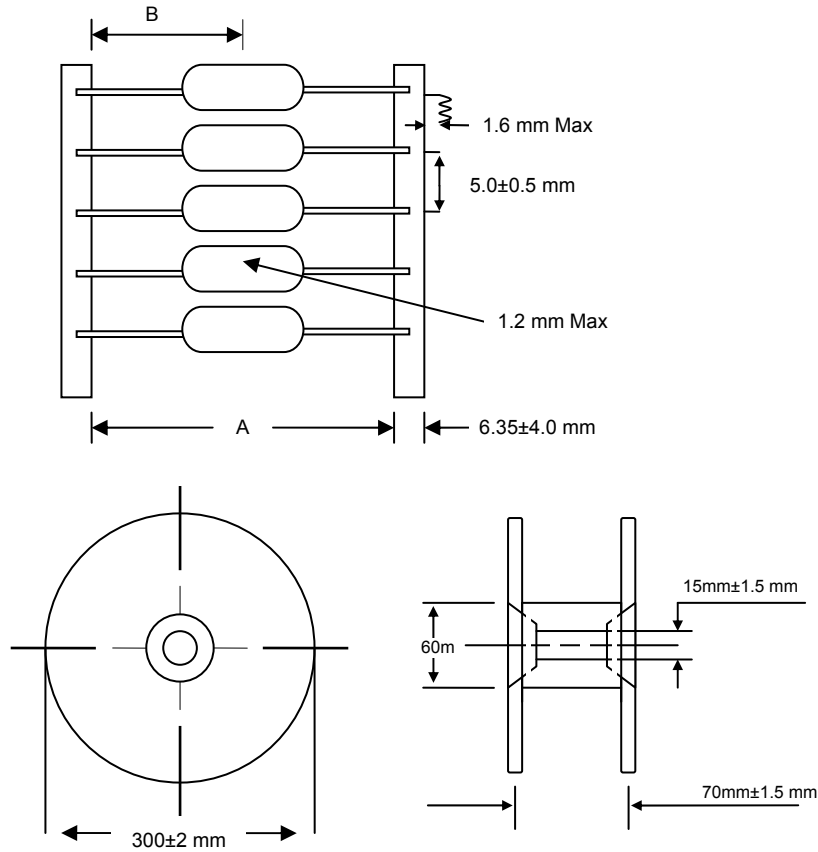
Nominal Capacitance	
104	10×10^4
5R0	5.0

AXIAL LEADS MLCC

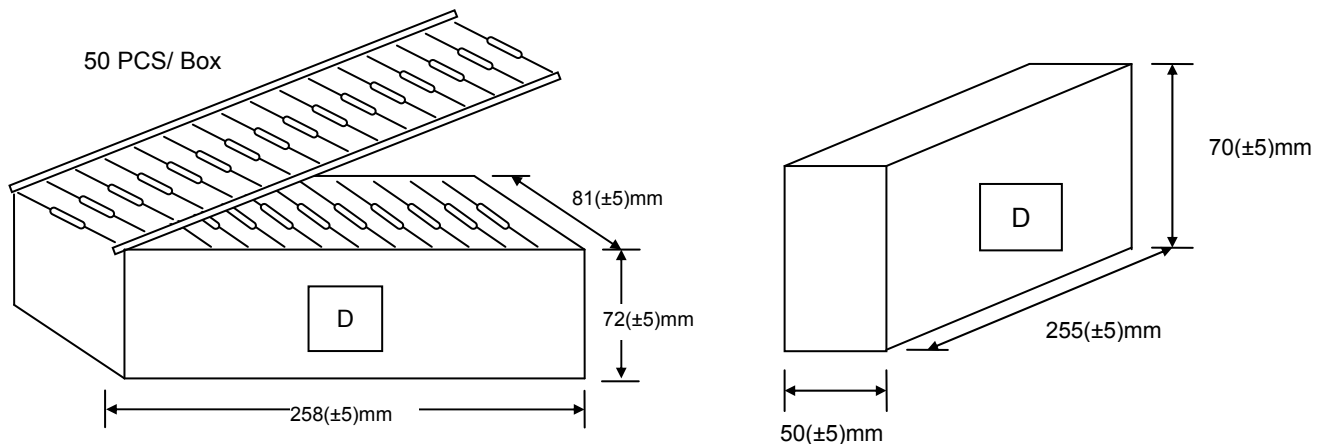
Package

Packaging Style - Tape And Reel

Lead Style	A	B
Tape width:26mm	26±1.5mm	13±0.76mm
Tape width:52.4mm	52.4±1.5mm	26.2±0.76mm



Ammo Package



Packaging Quantity

Size Code	Tape and Reel	Ammo Package	Bulk Package
15	5000	5000(4000)	1000(500)
17	5000	5000(4000)	1000(500)
20	2500	2500	500

* According to the customer